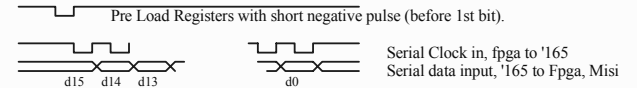
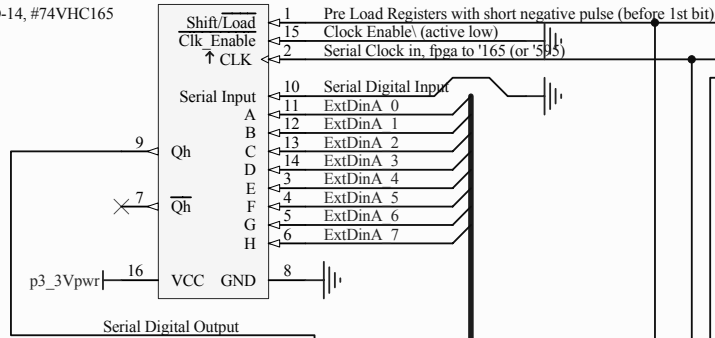


16b External Digital Input Register "A" via SPI

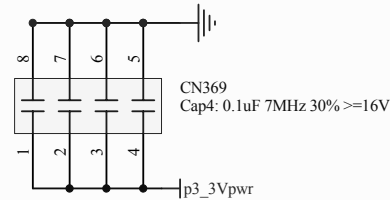
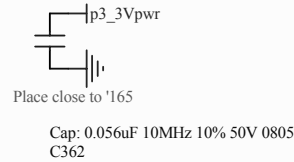
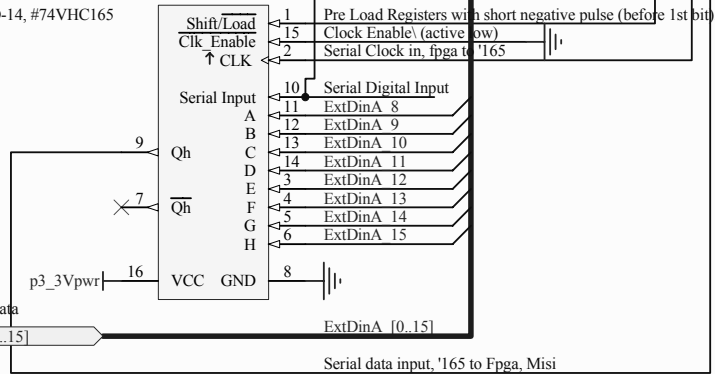
LVC3.3Vin/Vout, .8/2V, 8mA, no diode, To Fpga IC...

Specific Common

IC: 8b Shft, SO-14, #74VHC165 U369



IC: 8b Shft, SO-14, #74VHC165 U370



Title			gw instruments, inc 35 medford st. somerville, ma 02143, USA www.gwinst.com	
Size: Letter	Number:	Revision:		
Date: 3/5/2009	Time: 2:24:09 PM	Sheet 369of		
File: C:\Documents and Settings\Owner\My Documents\GWI\gwi Dev\iNet-4xx 2004 Design\i4xx schematics\i4xx Common Schematics\Common F				