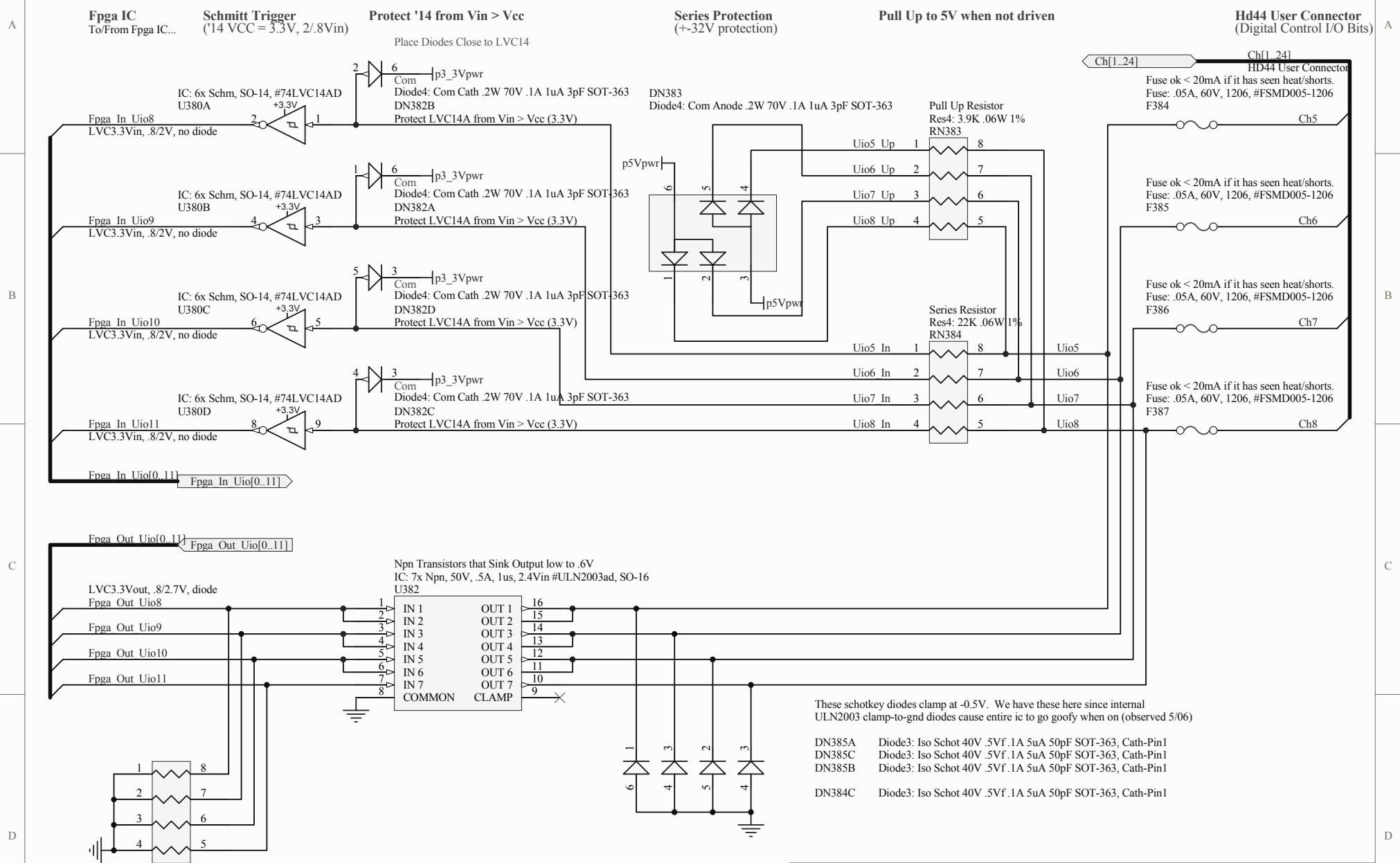


Ch 5..8 --- 4x Din/Dout Bits



These schotky diodes clamp at -0.5V. We have these here since internal ULN2003 clamp-to-gnd diodes cause entire ic to go goofy when on (observed 5/06)

DN385A Diode3: Iso Schot 40V .5Vf .1A 5uA 50pF SOT-363, Cath-Pin1
 DN385C Diode3: Iso Schot 40V .5Vf .1A 5uA 50pF SOT-363, Cath-Pin1
 DN385B Diode3: Iso Schot 40V .5Vf .1A 5uA 50pF SOT-363, Cath-Pin1
 DN384C Diode3: Iso Schot 40V .5Vf .1A 5uA 50pF SOT-363, Cath-Pin1

RN385
 Res4: 5.6K .06W 1%
 Keep NPN's off during power up

Title			gw instruments, inc 35 medford st. somerville, ma 02143, USA www.gwinst.com
Size: Letter	Number:	Revision:	gwi
Date: 3/5/2009	Time: 2:24:41 PM	Sheet 382of	
File: C:\Documents and Settings\Owner\My Documents\GWI\gwi Dev\iNet-4xx 2004 Design\i4xx schematics\i4xx Common Schematics\Common 8			